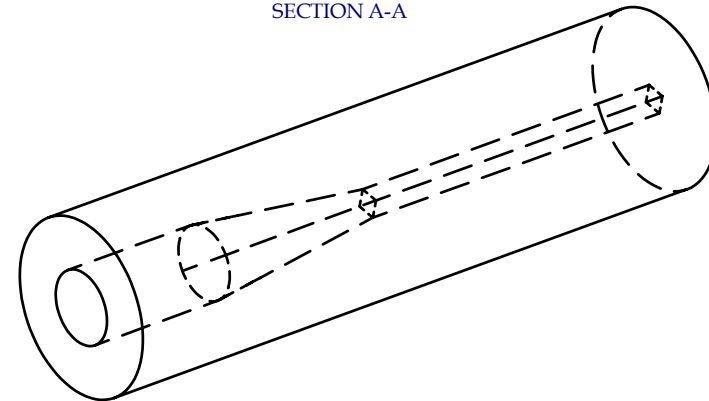
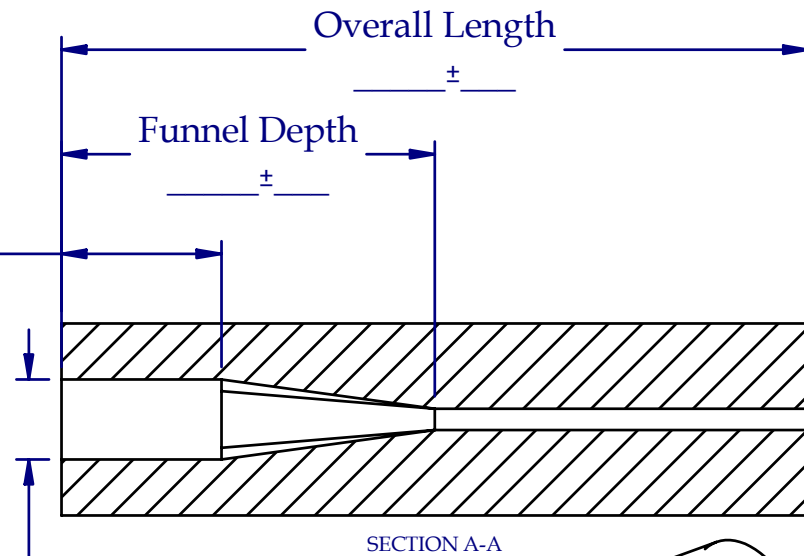
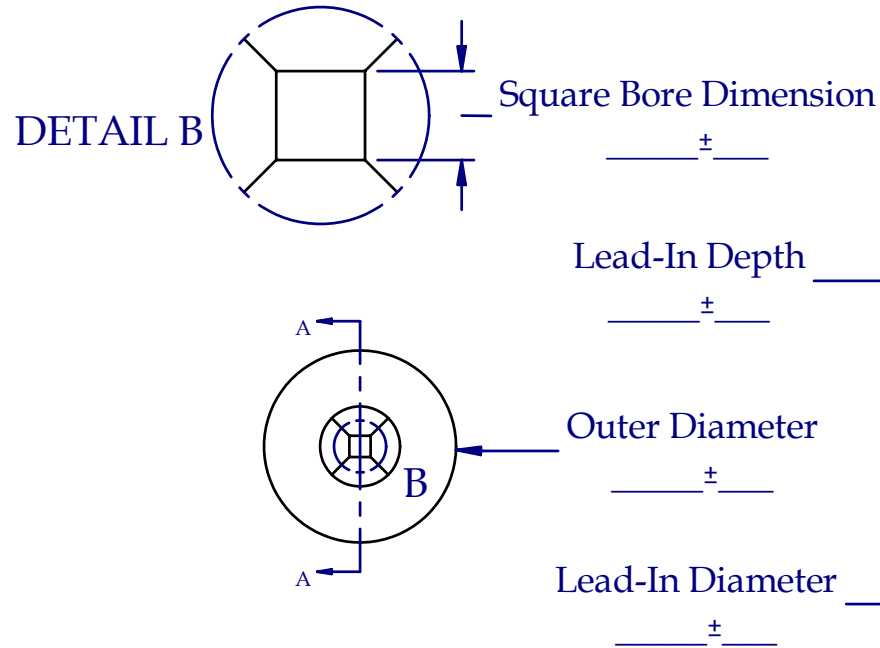


Square Bore Ferrule Custom Quote

Units: _____

REVISIONS			
REV	DATE	DESCRIPTION	APPROVED
000		ORIGINAL ISSUE	

Additional Notes: _____



Please fill out your contact information.

Name:

Company:

Phone #

Fax #

Email:

Fill out the critical dimensions(non-essential dimensions may be left blank), material, and quantity desired and fax to: (973) 402-1445



This drawing is the property of VitroCom, a Division of Fabrinet. All information contained herein is considered proprietary and is not to be disclosed or duplicated without the expressed written consent of VitroCom.

Title :

Material :

Finish :

Drawn by :

J. DiBernard

Designed by :

P. Motyka

Checked by :

Date :

Date :

Date :

Third Angle Projection



Do Not Scale Drawing